

QK15051

Non-Concussive Concealed
Shower Valve



SILFRA

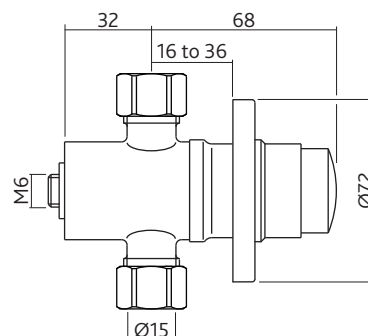
altecnic
CALEFFI group

Non-Concussive Concealed Shower Valve

QK15051



Dimensions



Installation

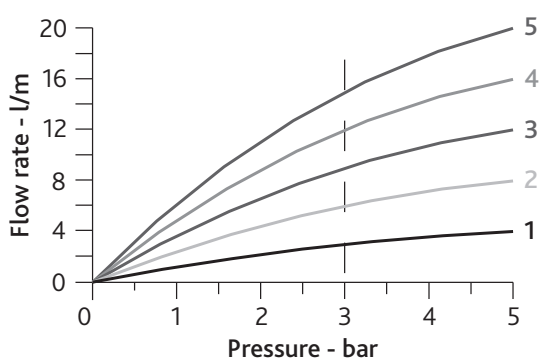
It is recommended that a strainer or filter is installed upstream of the tap or shower to prevent debris entering valve, causing damage or leakage.

Technical Specification

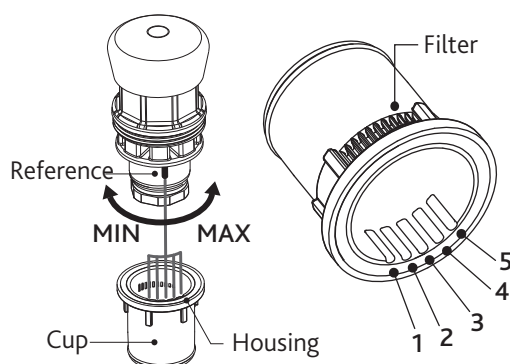
| | |
|---|------------|
| Recommended operational pressure: | 1 to 5 bar |
| Maximum test pressure: | 5 bar |
| Maximum hot water temperature: | 80°C |
| Working temperature range: | 50 to 60°C |
| Maximum pressure difference between hot and cold water: | 1.6 bar |

Time and flow rate are given in the table.

| Type | Time - seconds | Flowrate @ 3 bar |
|--------|----------------|------------------|
| Shower | 30+5/-10 | 9 l/m |



Flow Setting



The flow rate depends on the position of the reference (located on the cartridge body) in the seat of the plastic cup.

The flow is a function of pressure as shown in table.

To adjust the flow rate proceed as follows:

- 1 Unscrew the cartridge from the shower body and remove the plastic cup.
- 2 Select the position desired on the cup positions 1 to 5.
- 3 Screw back the cartridge into the shower body.

To clean the filter follow the procedure below;

- 1 Isolate the hot/cold water supply
- 2 Unscrew the cartridge from the shower body and remove the container
- 4 Clean the filter under running water
- 5 Refit the cartridge into the shower body, making sure the cup is set to the desired position.

© Patents & Design Altecnic 2020

Altecnic Ltd retains all rights (including patents, designs and copyrights, trademarks and any other intellectual property rights) in relation to all information provided on or via the website, brochures or any other documents, including all texts, graphics and logos, contained on the website, in brochures or in any other documents published in the name of or on behalf of Altecnic Ltd in any form, without prior written consent of Altecnic Ltd.

Altecnic Ltd Mustang Drive, Stafford, Staffordshire ST16 1GW

T: +44 (0)1785 218200 E: sales@altecnic.co.uk

Registered in England No: 2095101

altecnic.co.uk

AL 377 09-07-20

E & O.E

© Altecnic Limited. 2020

ALTECNIC™

altecnic
CALEFFI group